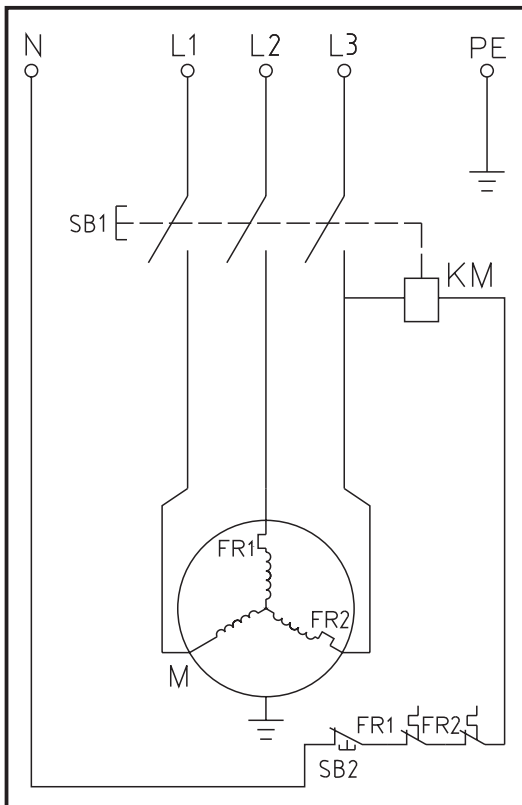
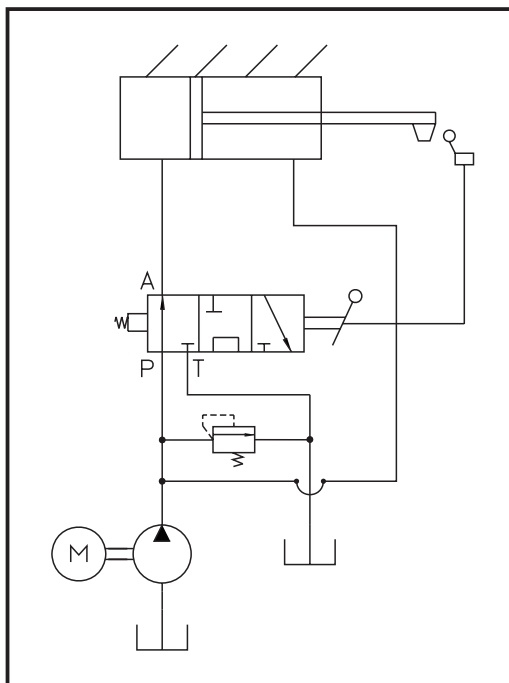


WIRING DIAGRAM

400 V Model



HYDRAULIC SYSTEM DIAGRAM



230 V Model

